

CSOP3050TE/S/T

FEATURES

The elegant, modern aesthetics pair perfectly with a full suite of similarly styled Sub-Zero, Wolf, and Cove appliances.

Plumbed and non-plumbed options for maximum installation flexibility.

Full-color touchscreen simplifies use

Save up to 50 personalized favorite recipe presets.

Cooking modes include Steam, Convection, Broil, Slow Roast

1750-Watt recessed broil element.

2.4 cubic-foot oven cavity allows multiple dishes to be placed side by side at once.

1889-Watt dual convection system ensures even, multi-rack baking and consistent results.

Three full-extension rack positions and one standard position allow easy access and increased cooking flexibility.

The temperature probe alerts you when your dish has reached the desired temperature.

ACCESSORIES

Broiler Rack

Descaling Solution

Perforated Pan - 12 3/4" x 1 1/2" x 7"

Perforated Pan - 24 3/4" x 1 3/8" x 14 1/2"

Porcelain Steam Enameled Broil Pan

Solid Pan - 12 3/4" x 1 1/2" x 7"

Solid Pan - 24 3/4" x 1 3/8" x 14 1/2"

Standard Oven Rack

Temperature Probe

Accessories available through an authorized dealer.

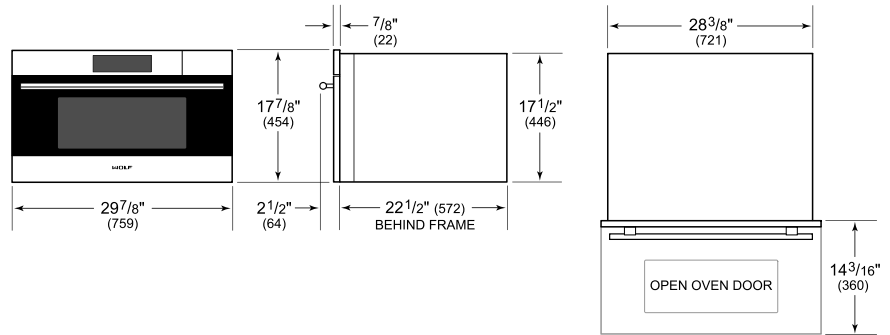
For local dealer information, visit subzero-wolf.com/locator.



PRODUCT SPECIFICATIONS

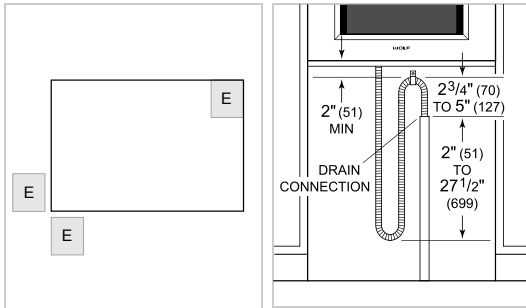
| | |
|--------------------------|---|
| Model | CSOP3050TE/S/T |
| Dimensions | 29 7/8"W x 17 7/8"H x 22 1/2"D |
| Oven Interior Dimensions | 25 1/4"W x 10 3/4"H x 15 1/8"D |
| Overall Capacity | 2.4 cu. ft. |
| Usable Capacity | 1.8 cu. ft. |
| Door Clearance | 14 3/16" |
| Weight | 91 lbs |
| Electrical Supply | 240/208 VAC, 60 Hz |
| Electrical Service | 20 amp dedicated circuit |
| Plumbing Supply | 3/8" OD copper, braided stainless steel or PEX tubing |
| Plumbing Pressure | 15–145 psi |
| Conduit Length | 4 Feet |

DIMENSIONS



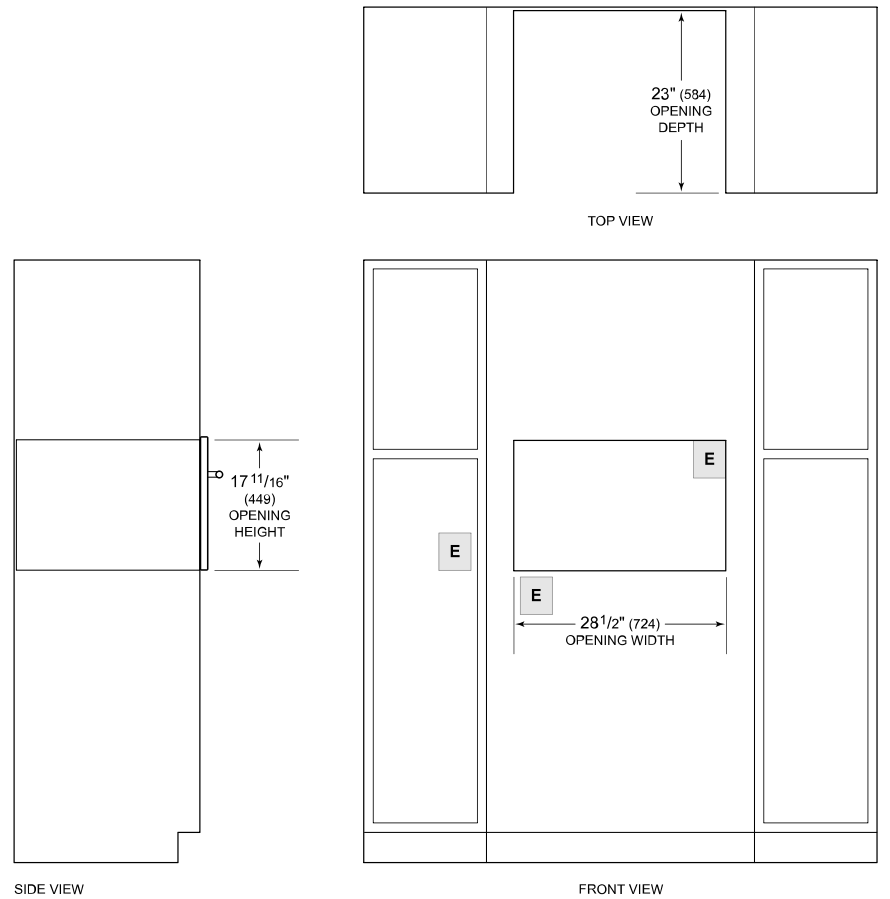
ELECTRICAL

PLUMBING



NOTE: Dimensions in parenthesis are in millimeters unless otherwise specified

STANDARD INSTALLATION



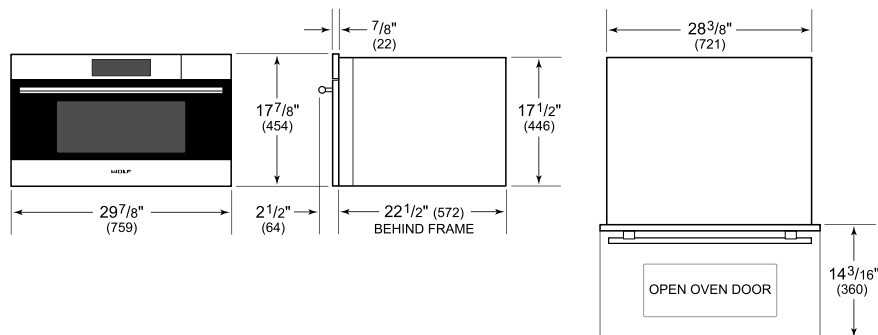
NOTE: Location of electrical supply within opening may require additional cabinet depth.



PRODUCT SPECIFICATIONS

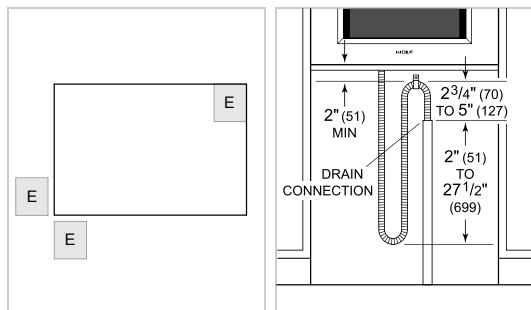
| | |
|--------------------------|---|
| Model | CSOP3050TE/S/T |
| Dimensions | 29 7/8"W x 17 7/8"H x 22 1/2"D |
| Oven Interior Dimensions | 25 1/4"W x 10 3/4"H x 15 1/8"D |
| Overall Capacity | 2.4 cu. ft. |
| Usable Capacity | 1.8 cu. ft. |
| Door Clearance | 14 3/16" |
| Weight | 91 lbs |
| Electrical Supply | 240/208 VAC, 60 Hz |
| Electrical Service | 20 amp dedicated circuit |
| Plumbing Supply | 3/8" OD copper, braided stainless steel or PEX tubing |
| Plumbing Pressure | 15–145 psi |
| Conduit Length | 4 Feet |

DIMENSIONS



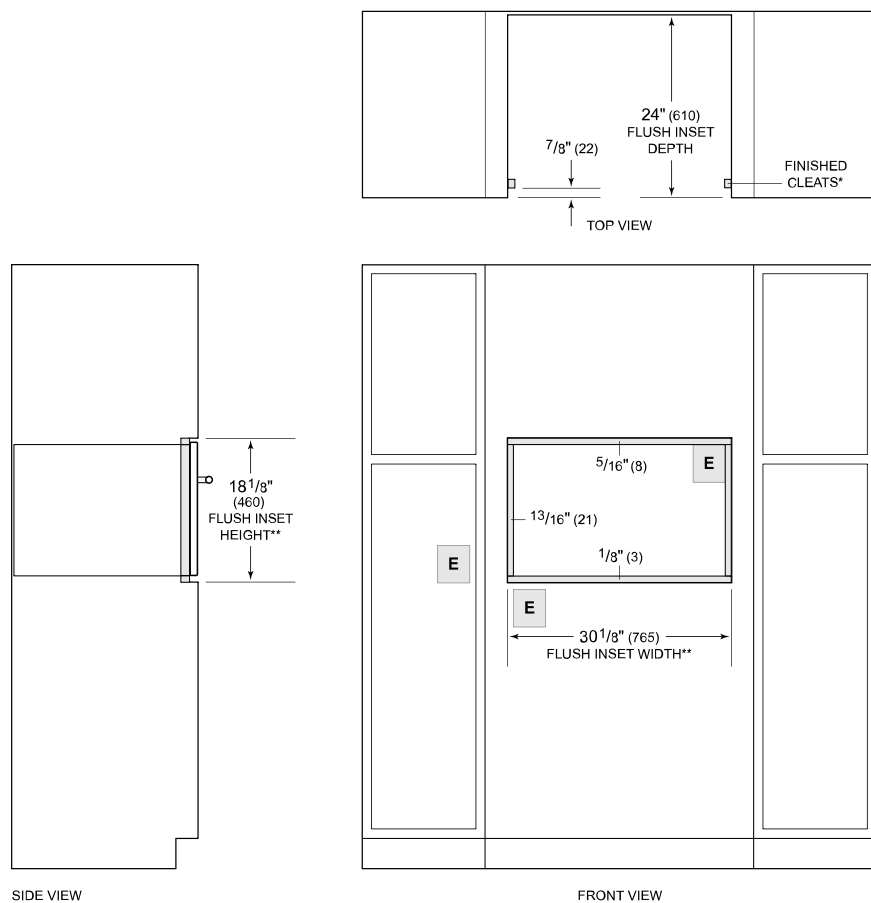
ELECTRICAL

PLUMBING



NOTE: Dimensions in parenthesis are in millimeters unless otherwise specified

FLUSH INSTALLATION



*Will be visible and should be finished to match cabinetry.

**Dimension provides minimum reveals.

NOTE: Location of electrical supply within opening may require additional cabinet depth.